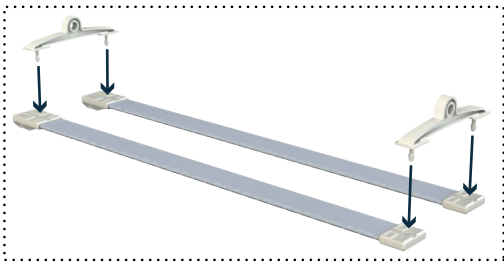


Instruction TNOLED

1.



2.

x2



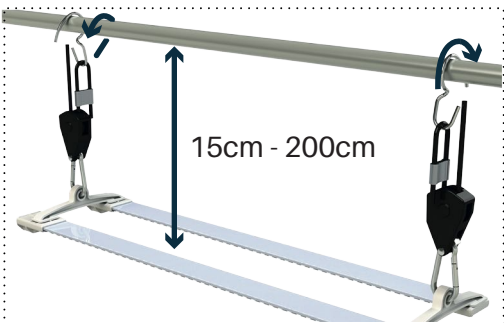
3a.

Option 1 : Adjustable

x2

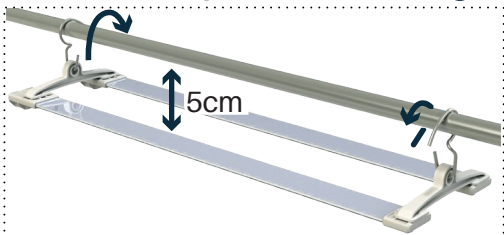


x2

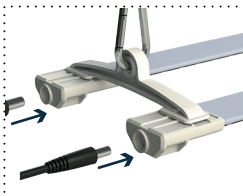


3b.

Option 2 : Max Height



4.



5.

